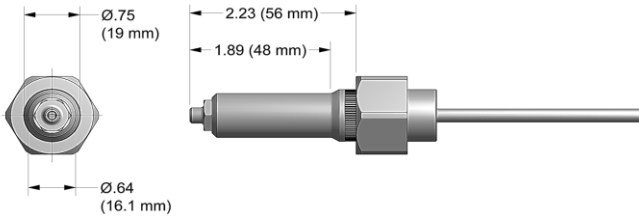


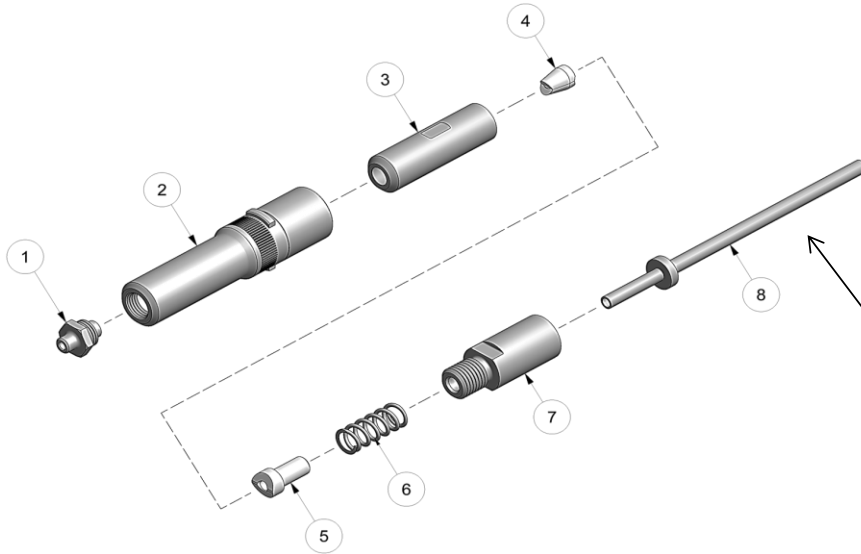
NOSE ASSEMBLY DATA SHEET



RIVET	DIAMETER	NOSE ASSEMBLY	NOSE TIP	PINTAIL TUBE
OPEN END MULTI-GRIP STRUCTURAL NAIL RIVET	3/32 1/8 5/32 3/16	3N-751-23 4N-751-23 5N-751-23 6N-751-23	10201 10202 10203 10204	40443 40443 40443 40443
CLOSED END NAIL RIVET (ALUMINUM MANDREL)	3/32 1/8 5/32 3/16	3N-751-23 4CEA-751-23 5CEA-751-23 6CEA-751-23	10201 13471 13472 13473	40443 40443 40443 40443
CLOSED END NAIL RIVET (STEEL MANDREL)	3/32 1/8 5/32 3/16	3N-751-23 4CES-751-23 5CES-751-23 6CES-751-23	10201 13475 13476 13477	40443 40443 40443 40443
EN6122 & UAB130-EU EN6127 & UAB6127-EU EN6128 & UAB100-EU EN6129 & UABP-EU	5/32 3/16	UAB05-751-23 *UAB06-751-23	12324 12325	40443 ----
BLIND RIVET (SINGLE ACTION) WITH OR W/O DRIVE WASHER NAS1900 S & U SERIES	1/8 5/32 3/16	SMLS04-751-23 SMLS05-751-23 *SMLS06-751-23	13484 13485 13486	40443 40443 ----
NAS1900 S & U SERIES BLIND RIVET WITH DRIVE WASHER	1/8 5/32 3/16	UBR456-751-23 (Pulls all 3 sizes) *Remove 40443 for 3/16"Ø	12323	40443
NAS1719, NAS1720 NAS1721	1/8 5/32 3/16	MBC04-751-23 MBC05-751-23 *MBC06-751-23	10251 10252 10253	40443 40443 ----
*A CODE NAS1398A & NAS1399A	3/32 1/8 5/32 3/16	3A-751-23 4A-751-23 5A-751-23 *6A-751-23	13405 13406 13407 13408	40443 40443 40443 ----
CHERRYMAX® CHERRYMAX® AB MBC® LOCK CREATOR BACR15FR/FP, BACR15GF/GK	1/8 5/32 3/16	456MAX-751-23 (Pulls all 3 sizes)	10425	40443
MS20600 SERIES MS/SSP/PT BACR15CC/CF/DA	3/32 1/8 5/32 3/16	3C-751-23 4C-751-23 5C-751-23 *6C-751-23	12355 12356 12357 10141-2	40443 40443 40443 ----
PEEL RIVET	3/16	PR06-751-23	13554	40443

CHERRYMAX® AND MBC® ARE REGISTERED TRADEMARKS OF CHERRYAEROSPACE

Rev. 3/21



*See chart 40443 pintail tube must be removed for certain 3/16" fasteners.



3/13 Rev. 3/21

GAGE BILT
MADE in USA

44766 Centre Court Clinton Twp. MI 48038 USA
Ph: +1 (586) 226-1500 Fax: +1 (586) 226-1505
solutions@gagebilt.com / www.gagebilt.com

Type:		Fastener:		Recommended Tool: GB751	
Self-Releasing		See Chart		Alternate Tools: GB722 & GB2480(A)	
Ref. No.	Qty.	Anvil Holder		XX-751-23	
1	1	Nose Tip		SEE CHART	
2	1	Anvil Holder		17796	
3	1	Collet		20421	
4	1	Jaw Set		30617	
5	1	Follower		40442	
6	1	Spring		50612	
7	1	Extension-Collet		70550-1	
*8	1	Pintail Tube Ass'y		*40443	