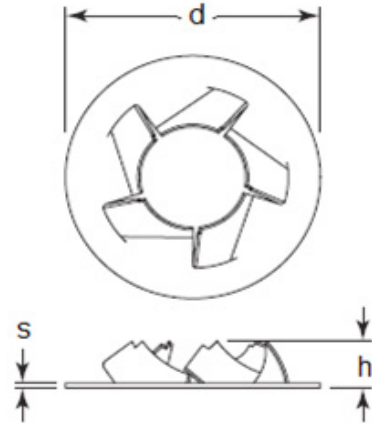
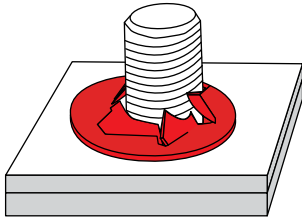


Palnut® Push-Ons
Bolt Retainers (PT)



APPLICATION INFORMATION

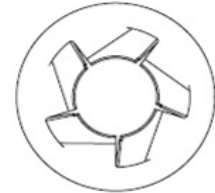


- Used in assembly applications where screws or bolts need to be retained in place before a nut is positioned and tightened
- Their inner teeth slide over and bite onto a screw or bolt
- No special tools required, eliminating time-consuming assembly operations
- Low-profile design, allowing parts to be used in applications where space is limited

DESIGN VARIATIONS



(M) DISHED



(R) FLAT

- M - Eases automated assembly and can be pre-installed to trim panels
- R - Standard flat design
- 4 - 4 Prongs
- 5 - 5 Prongs
- 6 - 6 Prongs



VIDEO ON PALNUT® PUSH-ONS

[VIEW HERE](#)



On Studs

Palnut® Push-Ons

Bolt Retainers (PT)

Imperial

Part Number	Legacy Part Number	Thread Specification	Diameter (d)	Height (h)	Material Thickness (s)	Design Variation
138649	PT 138055	6-20	0.344	0.049	0.010	R4
138653	PT 164006	8-18	0.375	0.049	0.010	R4
138654	PT 190007	10-16	0.437	0.065	0.012	R4
138655	PT 250008	1/4-20	0.500	0.078	0.010	R5
138657	PT 312010	5/16-18	0.625	0.082	0.014	R5
138658	PT 375125	3/8-16	0.783	0.093	0.015	R6
138659	PT 438135	7/16-20	0.843	0.103	0.015	R6
138660	PT 500015	1/2-20	0.938	0.122	0.015	R6

Metric

Part Number	Legacy Part Number	Thread Specification	Diameter (d)	Height (h)	Material Thickness (s)	Design Variation
138640	PT 040010	M4x0.7	9.52	1.27	0.25	R4
138642	PT 050011	M5x0.8	11.10	1.65	0.30	R5
135217	PT 060013	M6x1.0	12.70	2.18	0.25	R5
135213	PT 060017	M6x1.0	17.00	2.18	0.25	R5
135209	PT 080016	M8x1.25	15.90	2.10	0.36	R5
138697	PZ 002185	M8x1.25	23.80	2.58	0.33	M5
138646	PT 100020	M10x1.5	19.87	2.36	0.38	R6
138647	PT 120021	M12x1.75	21.41	2.94	0.38	R6
138650	PT 140025	M14x2.0	25.00	3.30	0.38	R6

Most parts manufactured in spring steel