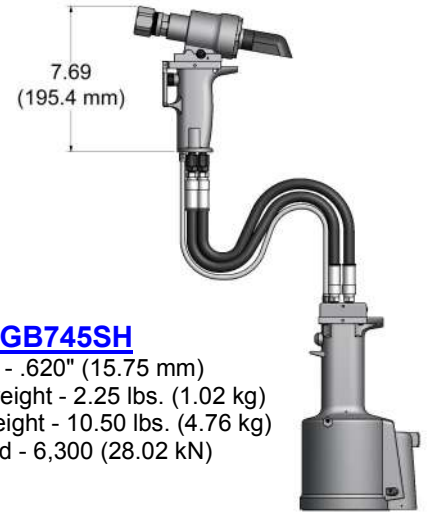
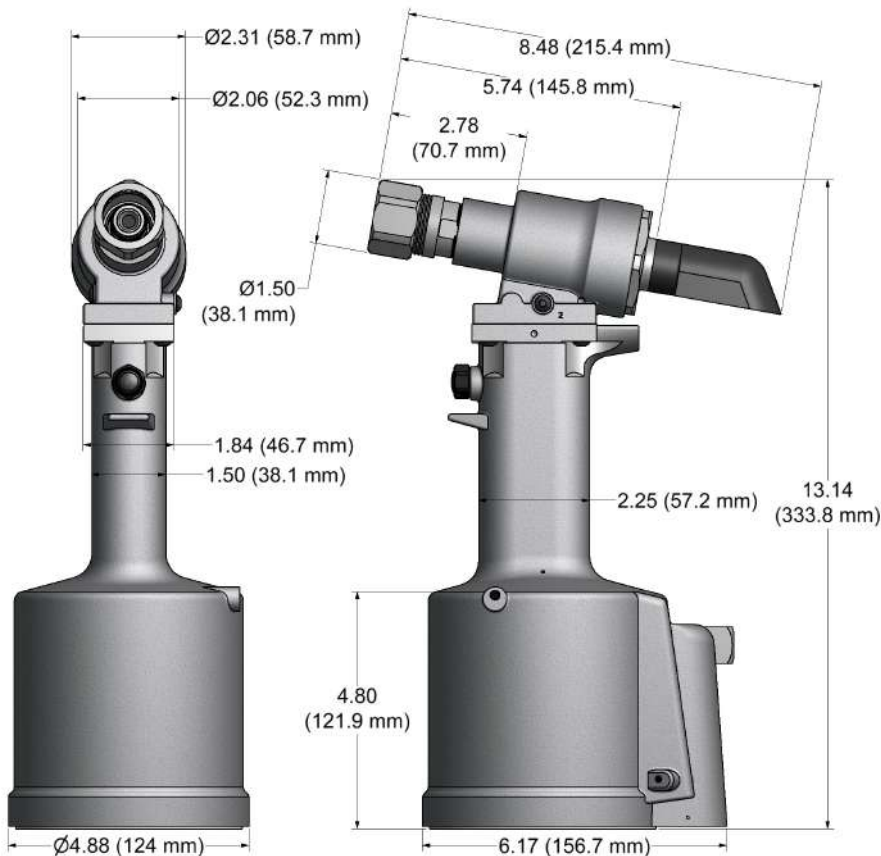


# GB745

## INSTALLATION TOOL

### GB745

Stroke - .620" (15.75 mm)  
 Hand held weight - 7.20 lbs. (3.26 kg)  
 Entire tool weight - 7.20 lbs. (3.26 kg)  
 Pull load - 6,300 (28.02 kN)



### GB745SH

Stroke - .620" (15.75 mm)  
 Hand held weight - 2.25 lbs. (1.02 kg)  
 Entire tool weight - 10.50 lbs. (4.76 kg)  
 Pull load - 6,300 (28.02 kN)



### GB745SR

Stroke - .620" (15.75 mm)  
 Hand held weight - 3.00 lbs. (1.36 kg)  
 Entire tool weight - 10.2 lbs. (4.63 kg)  
 Pull load - 6,300 (28.02 kN)

### DESCRIPTION

The GB745 is a pneumatic-hydraulic tool designed specifically for the efficient installation of a wide range of blind rivets, lockbolts and MAGNA-GRIP® fasteners. It weighs just over 7 lbs. (3.17 kg) and can be operated in any position with one hand. It has a .620" (16.26 mm) rivet setting stroke and a rated pull load of 6300 (28.0 kN) pounds with 90 psi (6.2 bar) air pressure at the air inlet.

The GB745 riveter operates on 90 to 100 psi (6.2-6.9 bar) of air pressure, providing the maximum efficiency. At 90 psi (6.2 bar) of air pressure, the GB745 does not exceed 81.5 dB (A) and consumes 6.0 cfm at 20 cycles per minute. The GB745SH and GB745SR riveters offer a unique "split" system providing the operator with an ergonomic tool with reduced hand held weight, as shown above.

The air inlet is provided with 1/4-18 female pipe thread for accepting the user's air hose fitting.

Nose Assemblies that were designed for the Model 353 Installation Tool mount directly on the GB745 without the use of an adapter.

Nose Assemblies that were designed for the Model 352 Installation Tool will attach to the GB745 with the use of the 745751 nose assembly adapter.

**NOSE ASSEMBLIES ARE NOT FURNISHED WITH THIS RIVETER AND MUST BE ORDERED SEPARATELY.**

**Covered under Patent No. 5,485,727**



# GB745-NOSE ASSEMBLY SELECTION CHART & ACCESSORIES



## ACCESSORIES (SOLD SEPARATELY)

**AIR BLEEDER  
ASSY**  
#704153  
(EQUIVALENT  
TO #700A77)



**CATCHER BAG**  
#756610



**NAS LOCKBOLTS AND BLIND FASTENERS**  
#GB105093 (EQUIVALENT TO #105093)



**GRIP GAGE FOR CHERRYMAX® AND  
CHERRYLOCK® RIVETS #269G3**  
(SIMILAR TO #269C3)



### 745751 Adapter Assy

Adapts all offset 713 and 752 series noses



### 353204 Adapter Assy

Adapts all offset 204 series noses



### 353205 Adapter Assy

Adapts all offset 205 series noses

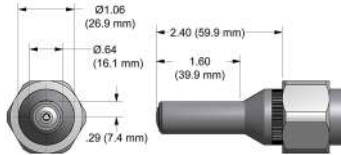


**GAGE BILT ALSO SUPPLIES PIN & COLLAR  
SWAGE INSPECTION GAGES TO CERTIFY  
CORRECT SWAGE INSTALLATION.**

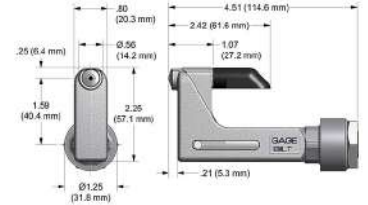


## NOSE ASSEMBLIES (SOLD SEPARATELY)

### STRAIGHT



### \*OFFSET



FASTENER	DIA.	STRAIGHT		*OFFSET		
A' CODE NAS1398 & NAS1399 'A'	1/8 5/32 3/16	4A-745C-23 5A-745C-23 6A-745B-23	4A-745C-48 5A-745C-48 6A-745B-48	4A-752A-430S 5A-752A-430S 6A-752A-430S		
ASP® 2 ASP® & ASP FF ASP FF & ASP F ASPLC & MAF	13/64 17/64 21/64	SMLS08-755-23 ASP06-745B-23 ASP08-745B-23 ASP10-755-23	SMLS08-755-48 ASP06-745C-48 ASP08-745C-48 ASP10-755-48	SMLS08-204D-270S ASP06-752A-430S ASP08-752A-430S ASP10-204D-370S		
BOM® AVBOLT®	1/4	BOM08-755-23				
COMMERCIAL LOCKBOLTS C6L® AVDELOK®	3/16 1/4 5/16 1 3/8 3	NAS06-745B-12 NAS06-755-23 NAS08-745B-12 NAS08-755-23 LB10-745C-26 LB12-756-26	NAS06-755-48 NAS08-755-48 NAS10-756-48 NAS12-756-48	NAS06-204C-250S NAS06-204C-340S NAS08-204D-250S NAS08-205A-31 NAS10-205C-31 NAS12-205A-31	NAS06-204C-300S NAS08-204D-300S NAS08-204C-340S	
CONTAINER BOLT	3/8	HT12-756-23				
FLOOR BOLT	5/16	FT10-353A-28				
LGP® LGPL2SC-V LGPL18SC-V LGPL4SC-V LGPL2SP-V LGPL4SP-V LGPL8SC-V LGPL9SC-V LGPL9SP-V	5/32 3/16 7/32 1/4 5/16	BACB30VM BACB30XT AB30548 BACB30VN ASNA2392 BACB30WD BACB30WB BACB30VY	LGP05-2581-12 LGP05-2581-23 LGP06-2581-12 LGP06-2581-23 LGP07-745B-12 LGP07-755-23 LGP08-2581-12 LGP08-2581-23 LGP10-745B-12 LGP10-2581-23	LGP05-204C-250S LGP05-204C-340S LGP06-204C-250S LGP06-204C-340S LGP07-204C-250S LGP07-204C-340S LGP08-204C-250S LGP08-204C-340S LGP10-205A-31	LGP05-204C-300S LGP06-204C-300S LGP06-204C-300S LGP07-204C-300S LGP08-204D-300S LGP08-205A-31	
NAS and GP® SHEAR/TENSION LOCKBOLTS	5/32 3/16 1/4 5/16 3/8 1	NASS05-755-12 NAST05-2581-12 NASS05-755-23 NAST05-755-23 NASS05-755-48 NAST05-755-48 NAS06-745B-12 NAS06-755-23 NAS08-745B-12 NAS08-755-23 NAS10-745B-12 NAS10-756-26 NAS12-745B-12 NAS12-756-26	NAST05-2581-12 NAST05-755-23 NAST05-755-48 NAS06-755-48 NAS06-755-48 NAS08-755-48 NAS08-755-48 NAS10-756-48 NAS10-756-48 NAS12-756-48	NASS05-204C-250 NAST05-204C-250 NASS05-204C-300 NAST05-204C-300 NASS05-204C-340 NAST05-204C-340 NAS06-204C-250S NAS06-204C-340S NAS08-204C-250S NAS08-204D-300S NAS08-204C-340S NAS08-205A-31 NAS10-205C-31 NAS12-205A-31	NAST05-204C-200 NAST05-204C-300 NAST05-204C-340 NAS06-204C-300S NAS06-204C-300S NAS08-204D-300S NAS08-205A-31	
BACB30TY BACB30TZ BACB30DY BACB30DX BACB30GO	1/4 1/4 5/16	BACB30UA BACB30UB BACB30GX BACB30GP BACB30GY	NAS06-755-23 NAS06-755-48 NAS08-755-48 NAS10-745B-12 NAS10-756-26 NAS12-745B-12 NAS12-756-48	NAS06-755-48 NAS06-755-48 NAS08-755-48 NAS10-205C-31 NAS12-205A-31		
BACB30GW	3/8 1					
MULTI-GRIP LOCKBOLT	3/16 1/4	MG06-745-48 MG08-745-48				
PT/MS/9SP MS20600 & MS20601	1/4	PT08-745B-48				
CHERRYMAX® CHERRYMAX® 'AB' MBC® LOCK CREATOR BACR15FR/FP, BACR15GF/GK	1/8 5/32 3/16		456MAX-751-23 s 456MAX-751A-61 s	456MAX-731-430S s		
NAS1900 S & U SERIES BLIND RIVET WITH DRIVE WASHER	1/4	08MAX-745B-23	08MAX-745C-48	08MAX-204D-270S	08MAX-204D-370S	
BLIND BOLT (SINGLE ACTION) WITH OR W/OUT DRIVE WASHER	5/32 3/16 1/4 5/16 2	SB05-745C-23 SB06-745B-23 SB08-755-23 SB10-756-28	SB05-745C-48 SB06-745B-48 SB08-755-48 SB10-756-48	SB05-752A-430S SB06-204D-270S SB08-204D-270S SB10-205A-35	SB06-204D-370S SB08-204D-370S	
BLIND BOLT (SINGLE ACTION) WITH DRIVE WASHER	5/32 3/16 1/4 5/16 2	MS90353S & U / MS90354S & U MS21140S & U / MS21141S & U CR7000 SERIES, BACB30YY, YU, & YT	UBB05-745C-23 UBB06-745B-23 UBB08-755-23 UBB10-756-28	UBB05-745C-48 UBB06-745B-48 UBB08-755-48 UBB10-756-48	UBB05-752A-430S UBB06-204D-270S UBB08-204D-270S UBB10-205B-35	UBB06-204D-370S UBB08-204D-370S
EN6122 & UAB130-EU EN6127 & UAB6127-EU EN6128 & UAB100-EU EN6129 & UABP-EU	5/32 3/16 1/4		UAB568-713-21 4 UAB568-713-61 4	UAB05-752A-430S UAB06-752A-430S UAB08-204D-270S UAB08-204D-370S		
BLIND RIVET (SINGLE ACTION) WITH OR W/OUT DRIVE WASHER	1/8 5/32 3/16 1/4	SMLS04-745C-23 SMLS05-745C-23 SMLS06-745B-23 SMLS08-755-23	SMLS04-745C-48 SMLS05-745C-48 SMLS06-745B-48 SMLS08-755-48	SMLS04-752A-430S SMLS05-752A-430S SMLS06-752A-430S SMLS08-204D-270S		
NAS1900 S & U SERIES	1/4	SMLS08-755-23	SMLS08-755-48	SMLS08-204D-270S		

ASP®, BOM®, C6L®, LGP® AND GP® ARE REGISTERED TRADEMARKS OF ARCONIC INC. AVBOLT® AND AVDELOK® ARE REGISTERED TRADEMARKS OF AVDEL UK LIMITED. MAXI-BOLT® AND MBC® ARE REGISTERED TRADEMARKS OF CHERRY AEROSPACE FASTENERS.

**GAGE BILT CERTIFIES THE GB745 WILL INSTALL THE ABOVE FASTENERS**

ALL OFFSET 204 SERIES NOSES REQUIRE 353204 ADAPTER, & ALL OFFSET 205 SERIES NOSES REQUIRE 353205 ADAPTER.
1) ALL MATERIALS EXCEPT TITANIUM & STAINLESS.
2) 100 PSI REQUIRED FOR ALLOY (MS90353 & 4).
3) GENERAL PURPOSE LOCKBOLTS ONLY.
4) INSTALLS 5/32, 3/16 & 1/4 DIAMETERS.
5) INSTALLS 1/8, 5/32, & 3/16 DIAMETERS.
6) ALL OFFSET 713 AND 752 SERIES NOSES REQUIRE 745751 ADAPTER.
7) 105 P.S.I. REQUIRED FOR ALLOY STEEL.

NOTE: THE LAST 2 DIGITS OF THE NOSE ASSEMBLY REPRESENTS THE LENGTH THE NOSE EXTENDS FROM THE TOOL. I.E. -20 = 2.0 INCHES