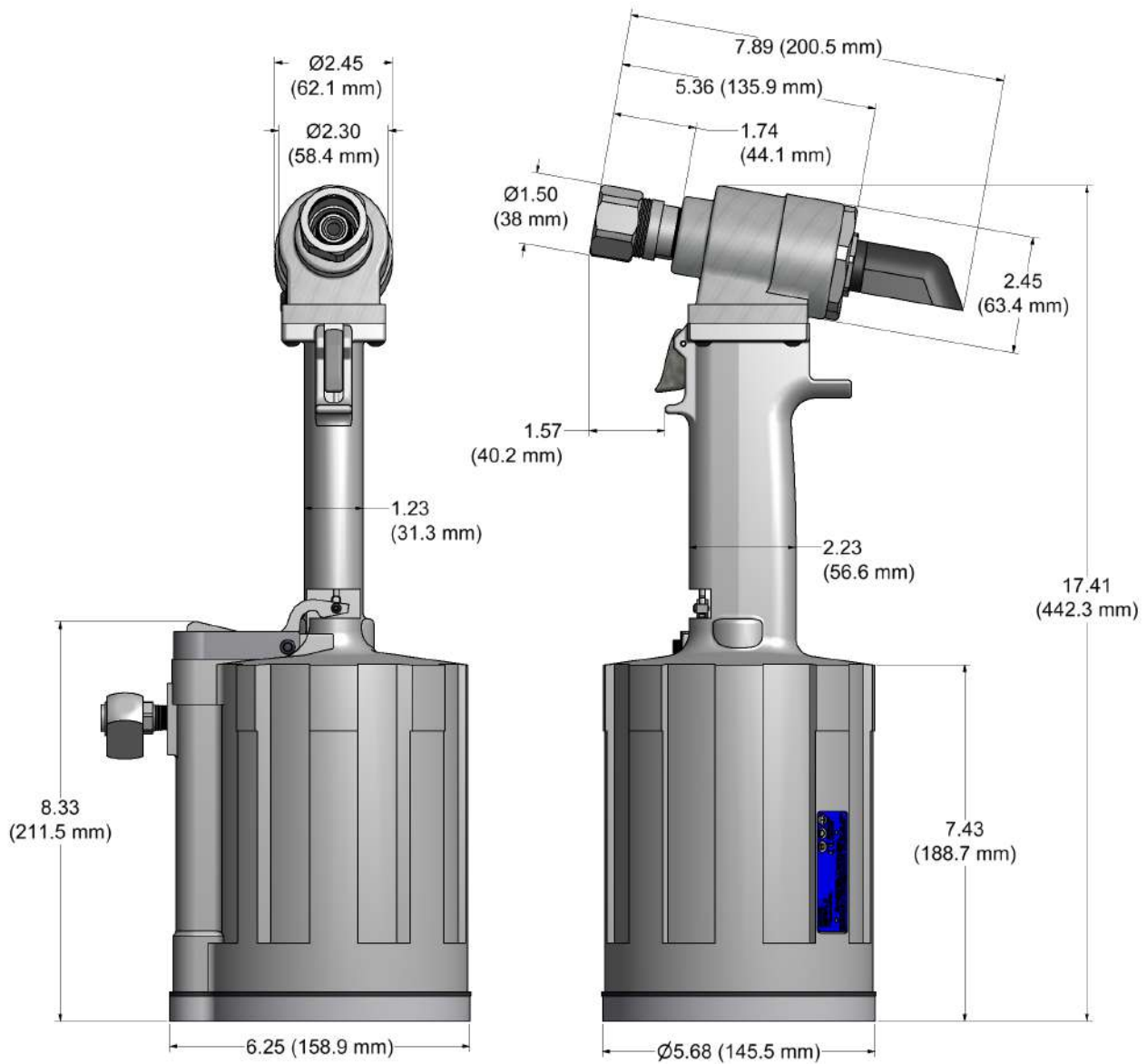


GB756

INSTALLATION TOOL



DESCRIPTION

The GB756 is a hydraulic installation tool designed specifically for the efficient installation of a wide range of blind, lockbolt and Magna-Grip® fasteners thru 3/8" diameter. It weighs 11.1 lbs. (5.03 kg) and can be operated in any position with one hand. It has a .960" (24.38 mm) rivet setting stroke and a rated pull load of 10,000 lbs. (44.48 kN).

The GB756 riveter operates on 90 to 100 psi (6.2-6.9 bar) of air pressure, providing the maximum efficiency. At 90 psi. (6.2 bar) of air pressure, the GB756 does not exceed 81.5 dB (A) and consumes 6.0 cfm at 20 cycles per minute.

The air inlet is provided with 1/4-18 female pipe thread for accepting the user's air hose fitting.

NOSE ASSEMBLIES ARE NOT FURNISHED WITH THIS RIVETER AND MUST BE ORDERED SEPARATELY.



GB756-NOSE ASSEMBLY SELECTION CHART & ACCESSORIES



ACCESSORIES (SOLD SEPARATELY)

AIR BLEEDER ASSY
#704153 (EQUIVALENT TO #700A77)



CATCHER BAG
#756610



**GRIP GAGE FOR NAS LOCKBOLTS AND
BLIND FASTENERS**
#GB105093 (Equivalent to #105093)

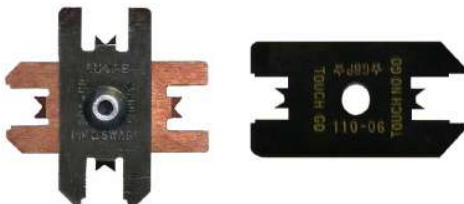


RIVETER KITS

Gage Bilt offers a wide selection of standard and custom kits tailored to your needs. Contact us for more information.

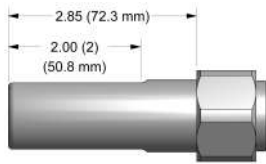


**GAGE BILT ALSO SUPPLIES PIN &
COLLAR SWAGE INSPECTION GAGES
TO CERTIFY CORRECT SWAGE
INSTALLATION.**

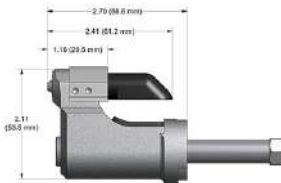


NOSE ASSEMBLIES (SOLD SEPARATELY)

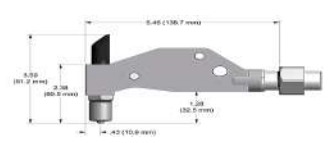
STRAIGHT



*OFFSET



RIGHT ANGLE



FASTENER	DIA.	STRAIGHT	**RIGHT ANGLE	*OFFSET	
ASP® 2 ASP & ASP PF ASP FF & ASP F ASP-LC and MAF	13/64 17/64 21/64	ASP06-745B-23 ASP08-745B-23 ASP10-755-23	ASP06-745C-48 ASP08-745C-48 ASP10-755-48	***ASP06-751B-54RA ASP06-204D-27OS ASP08-204D-27OS ASP10-204D-27OS	ASP06-204D-37OS ASP08-204D-37OS ASP10-204D-37OS
BOM® AVBOLT®	1/4 5/16	BOM08-755-23 BOM10-756-26			
COMMERCIAL LOCKBOLTS C6L® AVDELOK®	3/16 1/4 5/16 3/8	NAS06-745B-12 NAS06-755-23 NAS08-745B-12 NAS08-755-23 LB10-745C-26 LB12-756-26	NAS06-755-48 NAS08-755-48 NAS10-756-48 NAS12-756-48		NAS06-204C-25OS NAS06-204C-34OS NAS08-204C-25OS NAS08-204C-34OS NAS10-205D-31 NAS12-205A-31
CONTAINER BOLT FLOOR BOLT	3/8 5/16	HT12-756-23 FT10-353A-28			
LGP® LOCKBOLT	5/32 3/16	LGP05-2581-12 LGP05-2581-48 LGP06-2581-12 LGP06-2581-48	LGP05-2581-23 LGP06-2581-23		LGP05-204C-25OS LGP05-204C-34OS LGP06-204C-25OS LGP06-204C-34OS
LGL2SC-V BACB30VM LGL18SC-V BACB30XT LGL4SC-V ABS0548 LGL2SP-V BACB30VN LGL4SP-V A.SNA2392 LGL8SC-V BACB30WD LGL9SC-V BACB30WB LGL9SP-V BACB30VY	7/32 1/4 5/16 3/8	LGP07-745B-12 LGP07-755-48 LGP08-2581-12 LGP08-2581-48 LGP10-2581-12 LGP10-2581-48 LGP12-745B-12 LGP12-756-48	LGP07-755-23 LGP08-2581-23		LGP07-204C-25OS LGP07-204C-34OS LGP08-204C-25OS LGP08-204C-34OS LGP10-205D-31 LGP12-205A-31
NAS and GP® SHEAR/TENSION LOCKBOLTS	5/32 3/16	NASS05-755-12 NASS05-755-23 NASS05-755-48 NAS06-745B-12 NAS06-755-48 NAS08-745B-12 NAS08-755-48 NAS10-745B-12 NAS10-756-48 NAS12-745B-12 NAS12-756-48	NAST05-2581-12 NAST05-755-23 NAST05-755-48 NAS06-755-23 NAS08-755-23 NAS10-756-26 NAS12-756-26		NASS05-204C-25O NASS05-204C-30O NASS05-204C-34O NAS06-204C-25OS NAS06-204C-34OS NAS08-204C-25 NAS08-204C-34 NAS10-205D-31 NAS12-205A-31
BACB30TY BACB30UA BACB30TZ BACB30UB BACB30DY BACB30GX BACB30DX BACB30GP BACB30GO BACB30GY BACB30GW	1/4 5/16 3/8	NAS06-755-48 NAS08-745B-12 NAS08-755-48 NAS10-745B-12 NAS10-756-48 NAS12-745B-12 NAS12-756-48	NAS08-755-23 NAS10-756-26 NAS12-756-26		NAS08-204D-30OS NAS08-205A-31
MULTI-GRIP LOCKBOLT MAGNA-GRIP® and MAXLOK®	3/16 1/4 5/16 3/8	MG06-745-48 MG08-745-48 MG10-756-28 MG12-756-28			
MULTI-GRIP STRUCTURAL BLIND RIVET	1/4 5/16 3/8	**MGL08-752A-21 MGL10-353-28 MGL12-353C-28			
OVERSIZE STRUCTURAL RIVET	1/4 5/16 3/8	OS08-353A-48 OS10-756-26 OS12-756-26	OS10-756-48 OS12-756-48		
BLIND BOLT (SINGLE ACTION) WITH OR W/OUT DRIVE WASHER	5/32 3/16 1/4	SB05-745C-23 SB06-745B-23 SB08-755-23	SB05-745C-48 SB06-745B-48 SB08-755-48	***SB05-751B-54RA ***SB06-751B-54RA ****SB08-713A-58RA	SB05-204D-27OS SB06-204D-27OS SB08-204D-27OS SB08-205-35 SB10-205A-35 SB12-205A-35
BLIND BOLT (SINGLE ACTION) WITH DRIVE WASHER	5/32 3/16 1/4	UBB05-745C-23 UBB06-745B-23 UBB08-755-23	UBB05-745C-48 UBB06-745B-48 UBB08-755-48	***UBB05-751B-54RA ***UBB06-751B-54RA ****UBB08-713A-58RA	UBB05-204D-27OS UBB06-204D-27OS UBB08-204D-27OS UBB08-205-35 UBB10-205A-35 UBB12-205A-35
MS90353S & U / MS90354S & U MS21140S & U / MS21141S & U CR7000 SERIES, BACB30YY, YU, & YT	5/16 3/8	UBB10-756-28 UBB12-756-28	UBB10-756-48 UBB12-756-48		

ASP®, BOM®, LGP®, C6L®, GP®, AND MAGNA-GRIP® ARE REGISTERED TRADEMARKS OF ARCONIC INC. AVBOLT®, AVDELOK®, AND MAXLOK® ARE REGISTERED TRADEMARKS OF AVDEL UK LIMITED. MAXI-BOLTS® IS A REGISTERED TRADEMARK OF CHERRY AEROSPACE FASTENERS.

GAGE BILT CERTIFIES THE GB756 WILL INSTALL THE ABOVE FASTENERS

See gagebilt.com/nose_assemblies.htm for nose assembly information (data sheets)

*ALL OFFSET 204 SERIES NOSES REQUIRE 353204 ADAPTER WITH 756152 STROKE LIMITER.
*ALL OFFSET 205 SERIES NOSES REQUIRE 353205 ADAPTER WITH 756153 STROKE LIMITER.
**NOSE REQUIRES 745751 ADAPTER
***-54RA RIGHT ANGLE SERIES NOSES REQUIRE 745751 ADAPTER WITH 756155 STROKE LIMITER.
****-58RA RIGHT ANGLE NOSES REQUIRE 745751 WITH 756152 STROKE LIMITER.

NOTE: THE LAST 2 DIGITS OF THE NOSE ASSEMBLY REPRESENTS THE LENGTH THE NOSE EXTENDS FROM THE TOOL. I.E. -20 = 2.0 INCHES