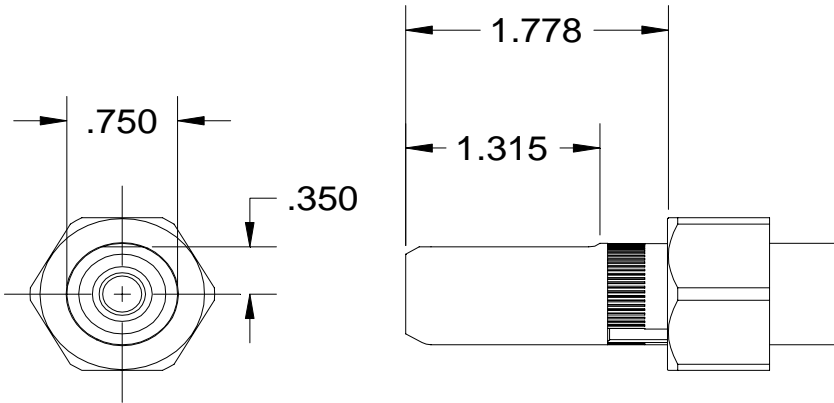
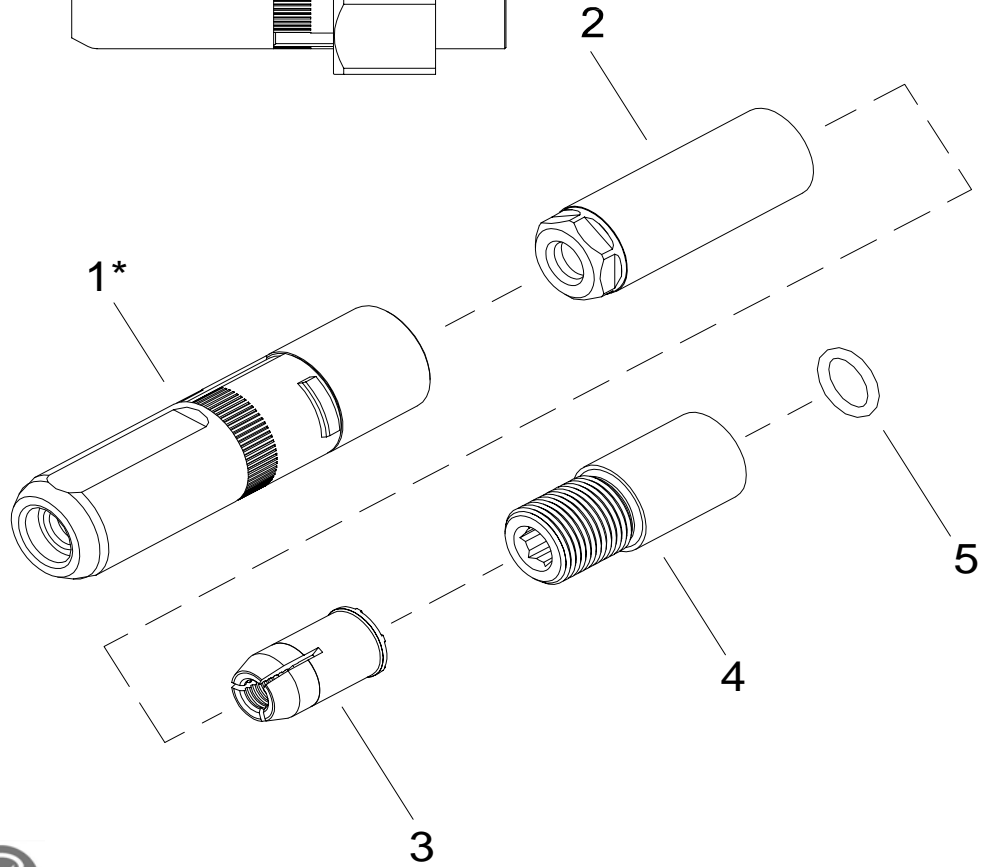


NOSE ASSEMBLY DATA SHEET



Use Hex-Key in rear of piston for nose assembly attachment.

Use Hex-Key in rear of collet extension for collet attachment.



*Anvil Assembly includes 35208 retainer.

5/01 REV. 1/14



GAGE BILT
MADE IN U.S.A.

GAGE BILT Inc.

44766 Centre Court (586) 226-1500
Clinton Twp, MI 48038 (586) 226-1505 Fax
e-mail:solutions@gagebilt.com / www.gagebilt.com

Type:		Fasteners:	Recommended Tool:
Self-Releasing 3/8" Ø		HUCKTAINER® (R12) HLPP,HLPM, HLPE, HLPS, HLPSC & HLPSM	GB713 Alternate Tool: GB2480
Ref. No.	Qty.	Description	HT12-713-20
1	1	Anvil Assembly	10707
2	1	Collet	20841
3	1	Super-Grip Jaw Assy.	30861-CS
4	1	Collet Extension	70823
5	1	O'Ring	400778