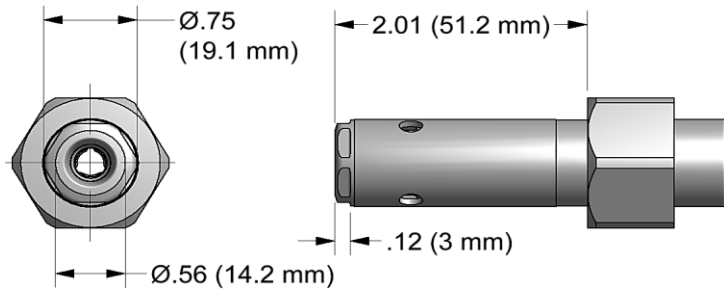


NOSE ASSEMBLY DATA SHEET



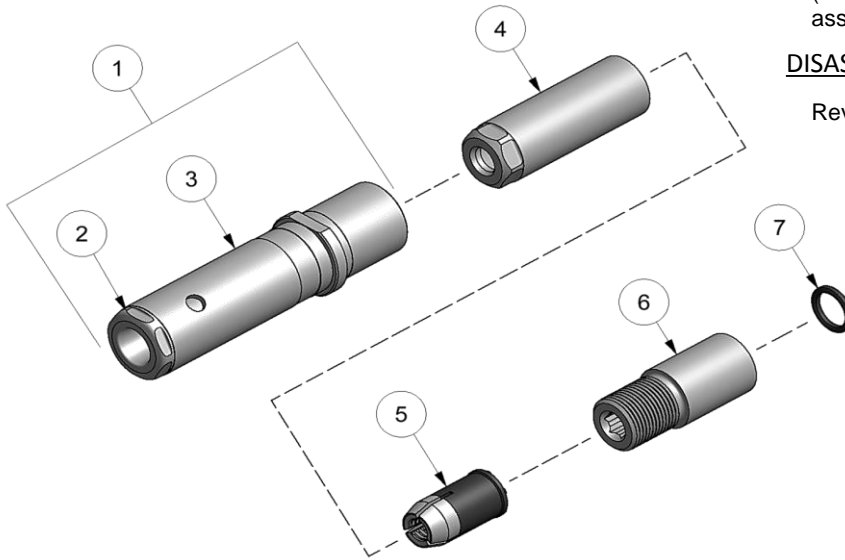
ASSEMBLY:

Note: If nose assy is assembled as it is when purchased new, follow steps 3-5 to attach to tool.

1. Insert super grip jaw assy (5) into rear of collet (4). (Note direction in exploded view).
2. Thread collet (4) to extension-collet (6) using flats provided. Insert o-ring (7) into rear of extension-collet (6).
3. Thread assembly onto piston on tool and snug with 9/16" wrench on collet #4 and hex key (provided with tool) into rear of piston.
4. Slide anvil & holder assy (1) over collet (4).
5. Slide retaining nut on anvil and tighten to tool. (Note: retaining nut stop not used on this nose assy).

DISASSEMBLY:

Reverse assembly instructions.



5/07 Rev. 1/18

GAGE BILT
MADE in USA



advancecomponents.com 972-446-5500

Type:		Fasteners:		Recommended Tool: GB713	
Non Self-Releasing 3/16 & 1/4 Ø		MAGNA-GRIP® Maxlok®		Alternate Tools: GB722 & GB2480(A)	
Ref. No.	Qty.	Description	MG06-722-20	MG08-722-20	
1	1	Anvil & Holder Assembly	16683	18871	
2	1	Anvil	16634	18872	
3	1	Holder	12242-1	12242-4	
4	1	Collet	20636	20841	
5	1	Super-Grip Jaw Assembly	30652-S	30860-S	
6	1	Extension	70823	70823	
7	1	O'Ring	400778	400778	