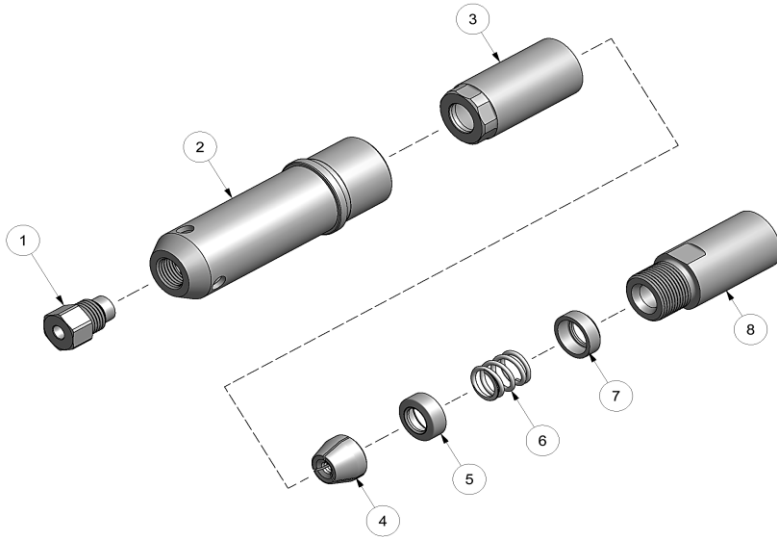
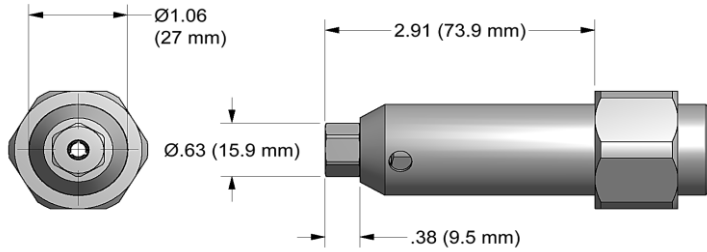


NOSE ASSEMBLY DATA SHEET



2/06 REV 2/18

ASSEMBLY:

Note: If nose assy is assembled as it is when purchased new, follow steps 4-6 to attach to tool.

1. Thread anvil insert (1) onto anvil assy (2).
2. Insert jaw set (4) into collet (3). Insert spring (6) into follower (5) and place locator (7) onto rear of spring (6) and insert assy with follower (5) against rear of jaw set (4). See exploded view.
3. Thread assembled collet (3) to extension-collet (8) using flats provided.
4. Thread assembled collet (3) and extension-collet (8) onto piston of tool using flats provided and hex in rear of piston.
5. Slide anvil assy (2) over collet (3).
6. Screw nose assy to too.

DISASSEMBLY:

Reverse assembly instructions.

DO NOT use retaining nut stop for self-releasing nose assemblies.

*Anvil Assembly includes 35308 retainer.

GAGE BILT
MADE in USA

44766 Centre Court Clinton Twp. MI 48038 USA
Ph: +1 (586) 226-1500 Fax: +1 (586) 226-1505
solutions@gagebilt.com / www.gagebilt.com

Type:		Fastener:	Recommended Tool:
Self-Releasing 5/16" Ø		Magna-Lok® Magna-Bulb®	GB756
			Alternate Tools: GB2581(A)
Ref. No.	Qty.	Description	MGL10-353-28
1	1	Anvil Insert	10195
2	1	Anvil Assy	11150
3	1	Collet	21236
4	1	Jaw Set	31026
5	1	Follower	41226
6	1	Spring	A-1709
7	1	Locator	61225
8	1	Extension-Collet	71219