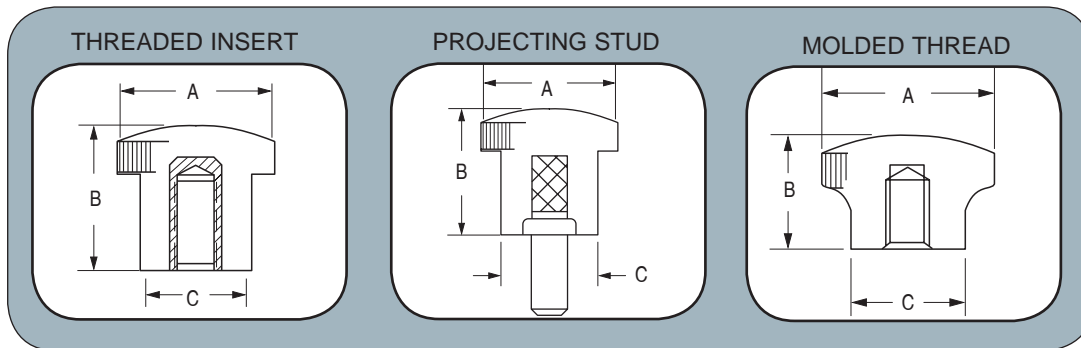


Mini Clamping

Available with a wide flange female insert for positive contact, as in battery posts. Good electrical properties in small clamping knobs.



Material Type	Part No.	A Dia.	B Current Part Height	C Part Height Capab.	Hub Dia.	Threaded Female Insert								Threaded Male Stud*								Threaded Female Insert Thru-Hole							
						6-32	8-32	10-24	10-32	1/4-20	1/4-28	5/16-18	5/16-24	6-32	8-32	10-24	10-32	1/4-20	1/4-28	5/16-18	5/16-24	6-32	8-32	10-24	10-32	1/4-20	1/4-28	5/16-18	5/16-24
TS	1770	31/64	1/2, 33/64, 5/8, 3/4, 7/8, 29/32	.500-906	3/8	■	■	▲	▲									■	■	▲	▲								
TS	2710	3/4	1/2, 33/64	N/A	1/2	▲	■	▲	▲	▲								▲	■	■	■	▲	▲						
TS	2720	5/8	9/16	N/A	7/16	▲	■	■	■	▲	▲							▲	■	■	■	▲	▲						
TS	2730	13/16	33/64, 17/32	N/A	7/16	▲	▲	■	■	▲	▲							▲	▲	■	■	▲	▲						
TP	2700	9/16	1/2, 17/32, 35/64, 5/8	N/A	1/2	■	■	■	■	▲	▲	▲	▲	▲	▲	▲	▲	■	■	▲	■	▲	▲	▲	▲	▲	▲	▲	
TP	2715	45/64	35/64	N/A	7/16													▲	■	■	■	■	■	■					
TP	2745	9/16	9/16	N/A	1/2	■	■	▲	▲	▲	▲	▲	▲	▲	▲	▲	▲	■	■	■	■	▲	▲	▲	▲	▲	▲	▲	
TP	7094	41/64	1/4, 17/32	.250-.562	29/64	▲	▲	▲	■	▲	▲							▲	■	■	■	▲	▲						

* For parts with male studs. LENGTH projecting below knob must be specified.
 ■ Currently Manufacture/Tooled
 ▲ Could Manufacture/Requires Tooling
 TS Thermoset
 TP Thermoplastic

CLAMPING KNOBS

