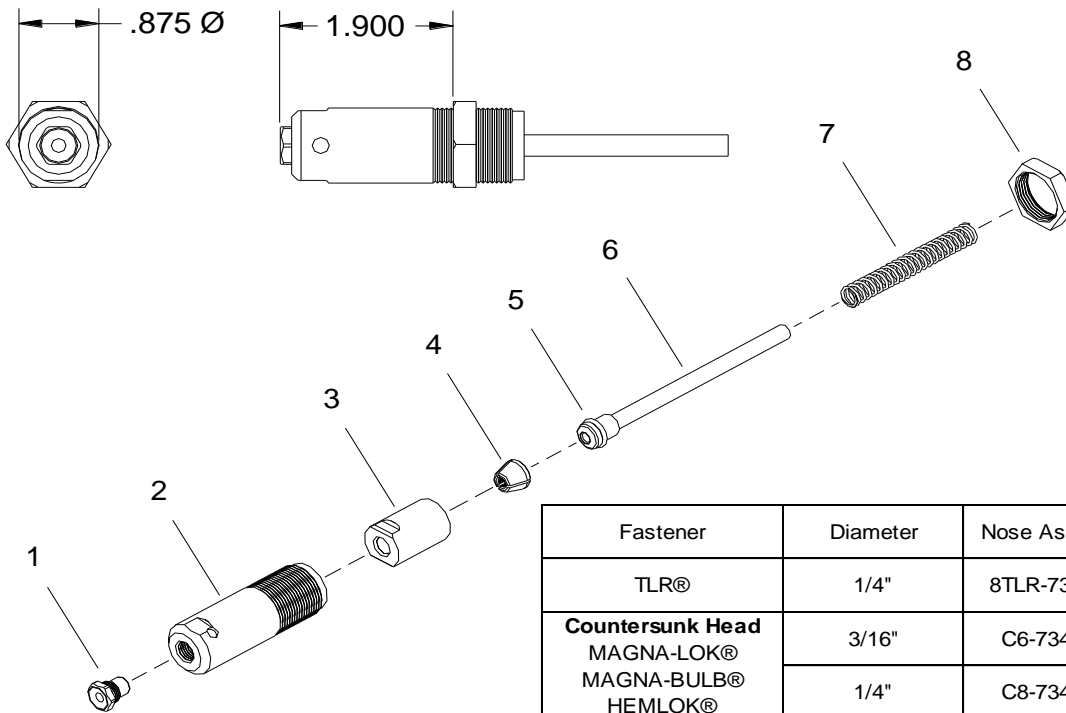


NOSE ASSEMBLY DATA SHEET



* For American made rivets only.
All others use 6N-743A-24

Fastener	Diameter	Nose Assembly	Nose Tip	Jaw Set
TLR®	1/4"	8TLR-734A-20	10246	36801
Countersunk Head MAGNA-LOK® MAGNA-BULB® HEMLOK®	3/16"	C6-734A-20	10425	30628
	1/4"	C8-734A-20	10211-1	36801
Protruding Head MAGNA-LOK MAGNA-BULB HEMLOK	3/16"	*PH6-734A-20	10248	30628
	1/4"	*PH8-734A-20	10205	36801
T-RIVET®	1/4"	8T-734A-20	10286	36801
CHERRYMAX®	3/16"	SP6-734A-20	10248-2	30628
	1/4"	SP8-734A-20	10205-2	36801
MONOBOLT®	3/16"	MB06-734A-20	10210	30628
	1/4"	MB08-734A-20	10213	36801

MAGNA-LOK® AND MAGNA-BULB® ARE REGISTERED TRADEMARKS OF ALCOA INC. TLR®, MONOBOLT® AND HEMLOK® ARE REGISTERED TRADEMARKS OF AVDEL UK LIMITED. T-RIVET I AND CHERRYMAX® IS A REGISTERED TRADEMARK OF CHERRY AEROSPACE FASTENERS.



3/11 Rev. 10/13

10/13

GAGE BILT
MADE IN U.S.A.



advancecomponents.com 972-446-5500

Type:		Fasteners:		Recommended Tool:	
Self-Releasing		See Chart		GB743	
Ref. No.	Qty.	Description		XX-734A-20	
1	1	Nose Tip		See Chart	
2	1	Anvil Holder		10935-1	
3	1	Collet		28819	
4	1	Jaw Set		See Chart	
5	1	O'Ring		400777	
6	1	Follower		48808	
7	1	Spring		405371	
8	1	Jam Nut		70820	