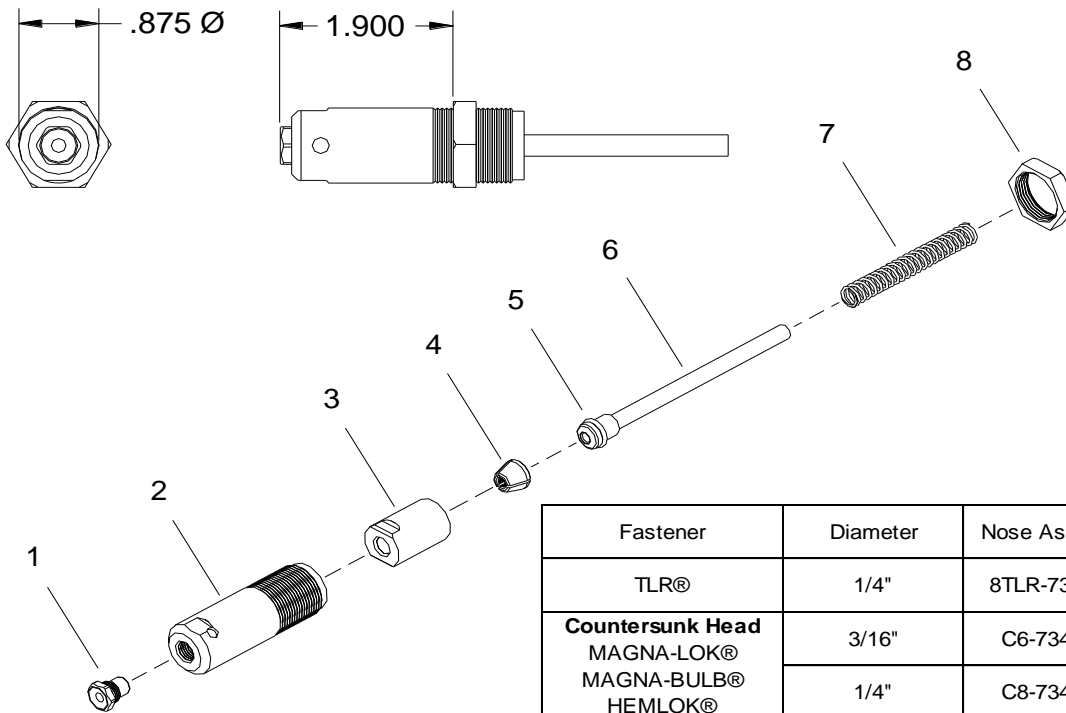


# NOSE ASSEMBLY DATA SHEET



\* For American made rivets only.  
All others use 6N-743A-24

Fastener	Diameter	Nose Assembly	Nose Tip	Jaw Set
TLR®	1/4"	8TLR-734A-20	10246	36801
<b>Countersunk Head</b> MAGNA-LOK® MAGNA-BULB® HEMLOK®	3/16"	C6-734A-20	10425	30628
	1/4"	C8-734A-20	10211-1	36801
<b>Protruding Head</b> MAGNA-LOK MAGNA-BULB HEMLOK	3/16"	*PH6-734A-20	10248	30628
	1/4"	*PH8-734A-20	10205	36801
T-RIVET®	1/4"	8T-734A-20	10286	36801
CHERRYMAX®	3/16"	SP6-734A-20	10248-2	30628
	1/4"	SP8-734A-20	10205-2	36801
MONOBOLT®	3/16"	MB06-734A-20	10210	30628
	1/4"	MB08-734A-20	10213	36801

MAGNA-LOK® AND MAGNA-BULB® ARE REGISTERED TRADEMARKS OF ALCOA INC. TLR®, MONOBOLT® AND HEMLOK® ARE REGISTERED TRADEMARKS OF AVDEL UK LIMITED. T-RIVET I AND CHERRYMAX® IS A REGISTERED TRADEMARK OF CHERRY AEROSPACE FASTENERS.



3/11 Rev. 10/13

10/13

**GAGE BILT**  
MADE IN U.S.A.



advancecomponents.com 972-446-5500

Type:		Fasteners:	Recommended Tool:
Self-Releasing		See Chart	GB743
Ref. No.	Qty.	Description	XX-734A-20
1	1	Nose Tip	See Chart
2	1	Anvil Holder	10935-1
3	1	Collet	28819
4	1	Jaw Set	See Chart
5	1	O'Ring	400777
6	1	Follower	48808
7	1	Spring	405371
8	1	Jam Nut	70820