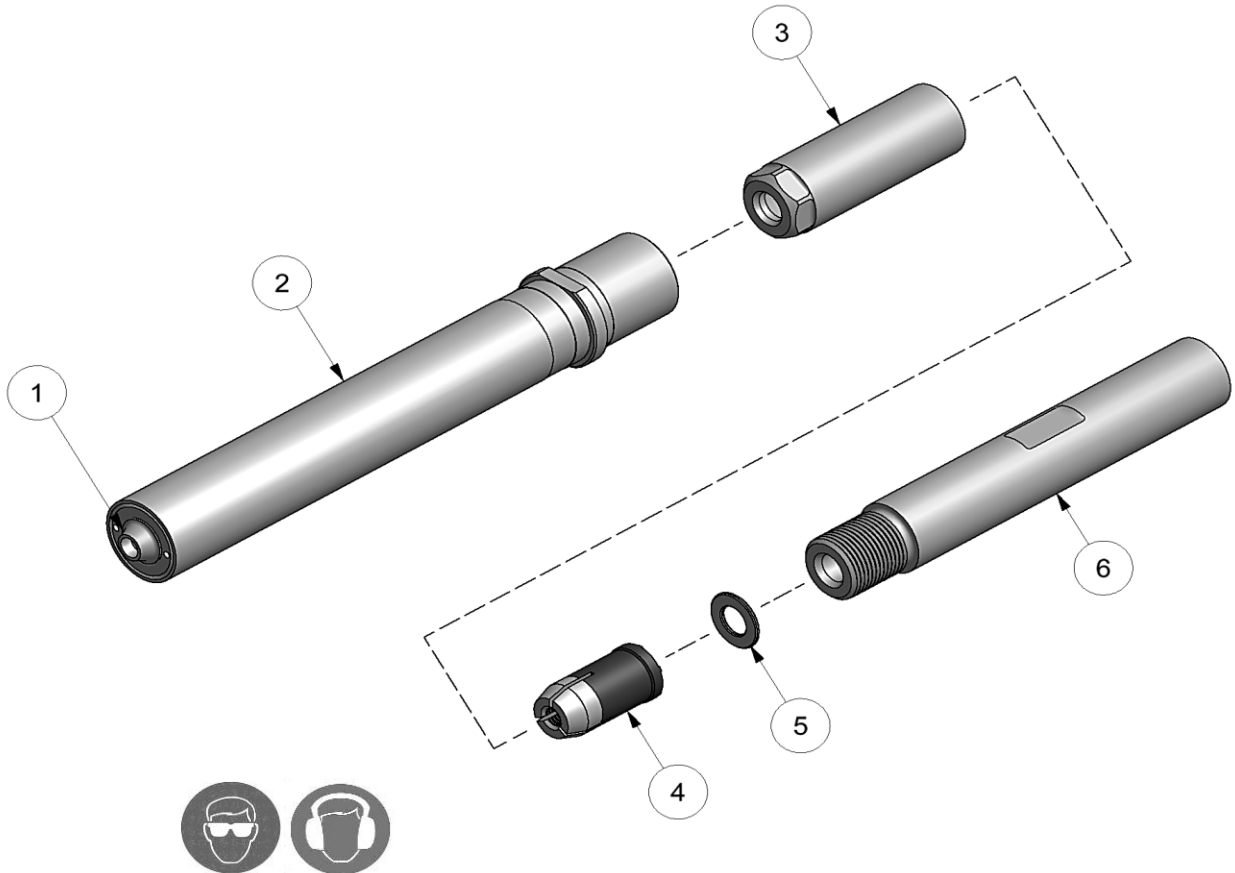
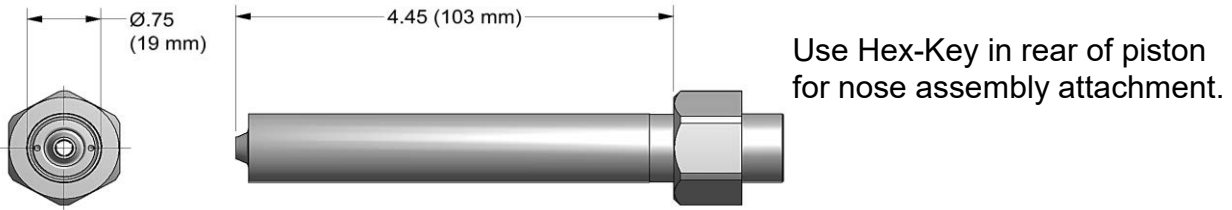


NOSE ASSEMBLY DATA SHEET



Rev 6/15

GAGE BILT
MADE IN U.S.A.

GAGE BILT Inc.

44766 Centre Court (586) 226-1500
Clinton Twp., MI 48038 (586) 226-1505 Fax
e-mail:solutions@gagebilt.com / www.gagebilt.com

Type:		Fastener:	Recommended Tool: GB752
Non Self-Releasing 1/4" \varnothing		BLIND RIVET (SINGLE ACTION) WITH OR W/OUT DRIVE WASHER NAS1900 S & U SERIES	Alternate Tools: GB722 & GB2480
Ref. No.	Qty.	Description	SMLS08-713-45
1	1	Anvil Insert	10868
2	1	Anvil Assy (Inc. #1)	19953
3	1	Collet	20841
4	1	Super Grip Jaw Assy	30653-CS
5	1	Spacer	60844
6	1	Collet Extension	70650