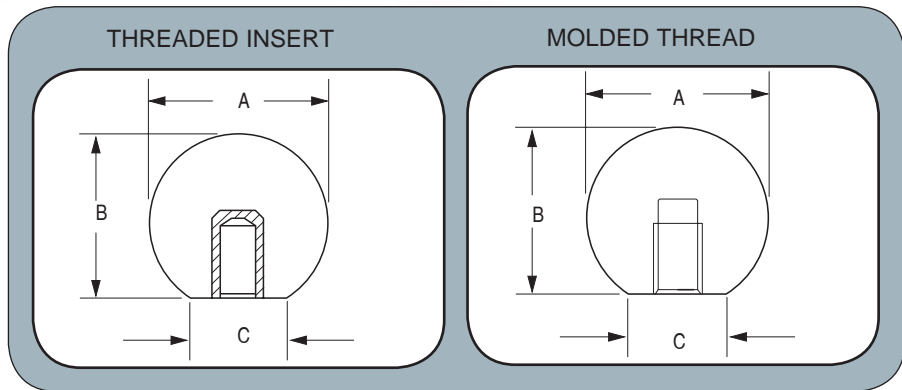


Thermoplastic Ball

Quality ball knobs made of polypropylene with a brass insert. Available in Red and Black.



| Material Type | Part No. | A Dia. | B Current Part Heights | C Hub Dia. | Threaded Female Insert | | | | | | | | | | Threaded Male Stud* | | | | | | | | | | Molded/Tapped Threads | | | | | | | | | | | | |
|---------------|----------|--------|------------------------|------------|------------------------|-------|-------|--------|--------|---------|---------|--------|--------|--------|---------------------|--------|--------|------|-------|-------|--------|--------|---------|---------|-----------------------|--------|--------|--------|--------|--------|---|--|--|--|--|--|--|
| | | | | | 8-32 | 10-24 | 10-32 | 1/4-20 | 1/4-28 | 5/16-18 | 5/16-24 | 3/8-16 | 3/8-24 | 1-2/13 | 1/2-20 | 5/8-11 | 5/8-18 | 8-32 | 10-24 | 10-32 | 1/4-20 | 1/4-28 | 5/16-18 | 5/16-24 | 3/8-16 | 3/8-24 | 1-2/13 | 1/2-20 | 5/8-11 | 5/8-18 | | | | | | | |
| TP | 0012 | 1 | 15/16 | 1/2 | ▲ | ▲ | ■ | ▲ | ▲ | | | | | | | ▲ | ▲ | ■ | ▲ | ▲ | | | | | | | ▲ | ▲ | ▲ | ▲ | ▲ | | | | | | |
| | w/shank | 1 | 1 | 1/2 | ▲ | ▲ | ▲ | ▲ | ▲ | | | | | | | ▲ | ▲ | ▲ | ▲ | ▲ | | | | | | | ▲ | ▲ | ▲ | ▲ | ▲ | | | | | | |
| TP | 0013 | 1 3/16 | 1 5/64 | 11/16 | ▲ | ▲ | ▲ | ▲ | ▲ | ▲ | ▲ | ▲ | ▲ | | | ▲ | ▲ | ▲ | ▲ | ▲ | | | | | | ▲ | ▲ | ▲ | ▲ | ▲ | ▲ | | | | | | |
| TP | 0014 | 1 1/4 | 1 1/8 | 3/4 | ▲ | ▲ | ▲ | ▲ | ▲ | ▲ | ▲ | ▲ | ▲ | ▲ | ▲ | ▲ | ▲ | ▲ | ▲ | ▲ | ▲ | ▲ | ▲ | ▲ | ▲ | ▲ | ▲ | ▲ | ▲ | ▲ | ▲ | | | | | | |
| TP | 0016 | 1 3/8 | 1 1/4 | 3/4 | ▲ | ▲ | ▲ | ▲ | ▲ | ▲ | ▲ | ▲ | ▲ | ▲ | ▲ | ▲ | ▲ | ▲ | ▲ | ▲ | ▲ | ▲ | ▲ | ▲ | ▲ | ▲ | ▲ | ▲ | ▲ | ▲ | ▲ | | | | | | |
| TP | 0017 | 1 9/16 | 1 15/32 | 3/4 | ▲ | ▲ | ▲ | ▲ | ▲ | ▲ | ▲ | ▲ | ▲ | ▲ | ▲ | ▲ | ▲ | ▲ | ▲ | ▲ | ▲ | ▲ | ▲ | ▲ | ▲ | ▲ | ▲ | ▲ | ▲ | ▲ | ▲ | | | | | | |
| TP | 0018 | 1 1/2 | 1 13/32 | 3/4 | ▲ | ▲ | ▲ | ▲ | ▲ | ▲ | ▲ | ▲ | ▲ | ▲ | ▲ | ▲ | ▲ | ▲ | ▲ | ▲ | ▲ | ▲ | ▲ | ▲ | ▲ | ▲ | ▲ | ▲ | ▲ | ▲ | ▲ | | | | | | |
| TP | 0019 | 1 7/8 | 1 51/64 | 3/4 | ▲ | ▲ | ▲ | ▲ | ▲ | ▲ | ▲ | ▲ | ▲ | ▲ | ▲ | ▲ | ▲ | ▲ | ▲ | ▲ | ▲ | ▲ | ▲ | ▲ | ▲ | ▲ | ▲ | ▲ | ▲ | ▲ | ▲ | | | | | | |

* For parts with male studs, LENGTH projecting below knob must be specified.
 ■ Currently Manufacture/Tooled
 ▲ Could Manufacture/Requires Tooling
 TS Thermoset
 TP Thermoplastic