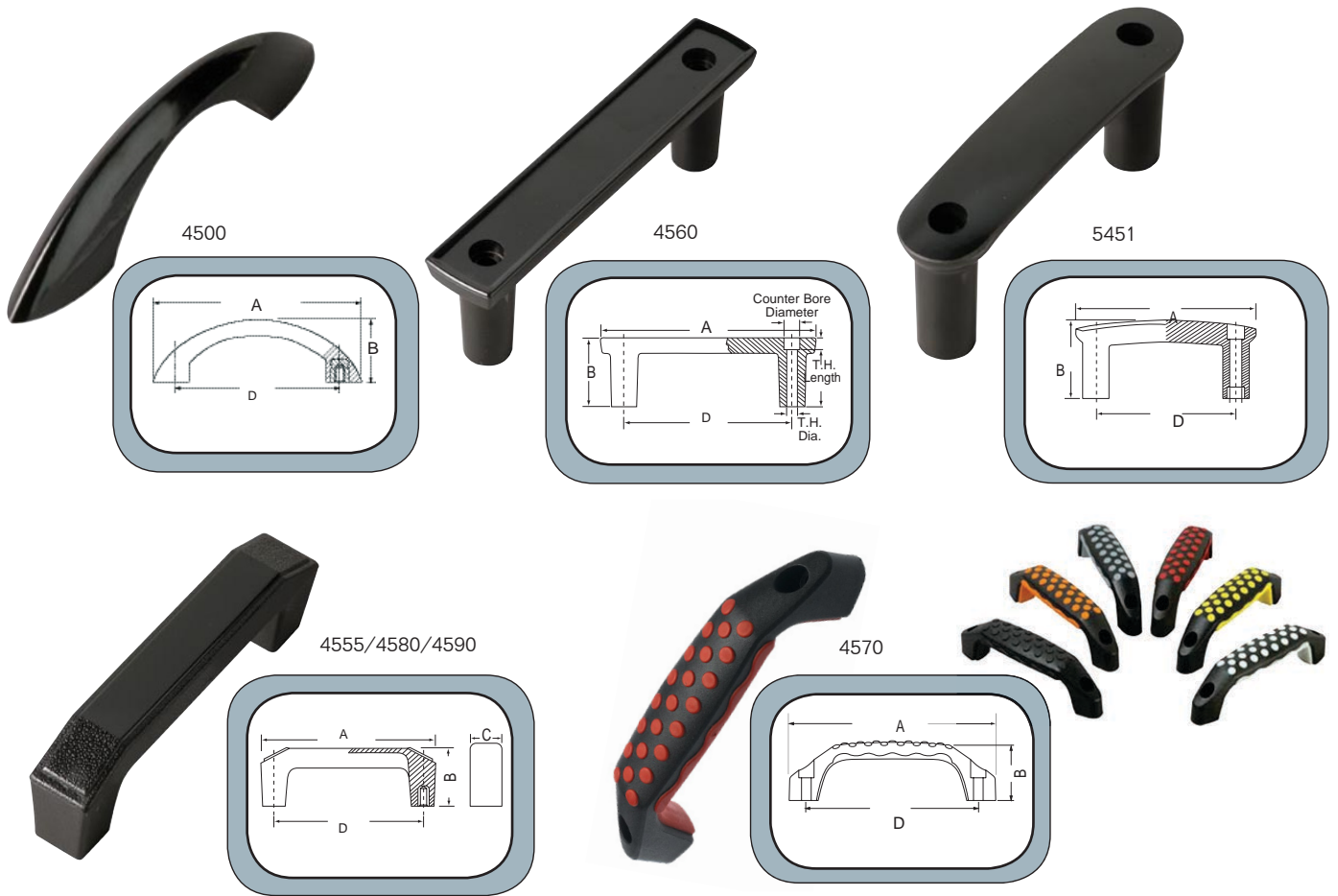


Two Point/ Pull

Various models available in heat resistant phenolic, high impact strength thermoplastic, or soft touch thermoplastic elastomer overmold for a wide range of applications. May be anchored from top or bottom. If you don't see what you need, call us for additional models and styles.



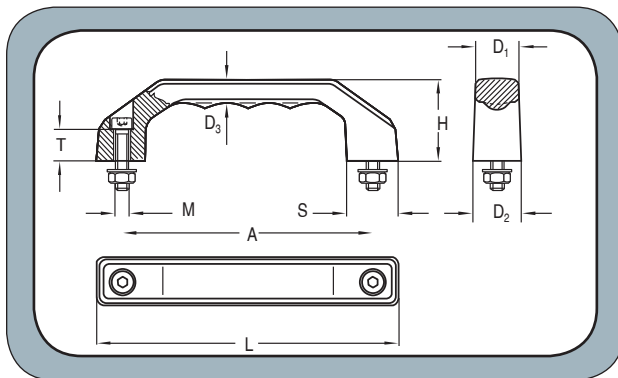
| Material Type | Part No. | A | B | Handle Width C | D | Female Insert | | | | | Tapped Thread | | | | | Plain Molded Hole | | |
|---------------|----------|---------|---------|----------------|---------|---------------|-------|-------|--------|--------|---------------|-------|-------|--------|--------|-------------------|-----|------|
| | | | | | | 8-32 | 10-24 | 10-32 | 1/4-20 | 1/4-28 | 8-32 | 10-24 | 10-32 | 1/4-20 | 1/4-28 | 9/64 | 1/4 | 9/32 |
| TS | 4500 | 4 1/4 | 1 1/16 | 5/8 | 2 7/8 | | | | | | ■ | ■ | ▲ | ▲ | ▲ | ■ | ▲ | |
| TS | 4560 | 5 1/2 | 1 3/4 | 1 | 4 1/4 | ▲ | ▲ | ▲ | ■ | ▲ | ▲ | ▲ | ▲ | ■ | ▲ | ▲ | ▲ | ■ |
| TS | 5451 | 4 1/2 | 1 15/16 | 1 | 3 3/8 | ▲ | ▲ | ▲ | ▲ | ▲ | ▲ | ▲ | ▲ | ▲ | ▲ | ■ | ▲ | ▲ |
| TP | 4555 | 4 1/2 | 1 7/16 | 3/4 | 3 3/4 | ▲ | ■ | ■ | ■ | ▲ | ▲ | ▲ | ▲ | ▲ | ▲ | ■ | ▲ | ▲ |
| TPO | 4570 | 5 3/4 | 1 21/32 | 1 1/8 | 4 23/32 | ▲ | ▲ | ▲ | ▲ | ▲ | ▲ | ▲ | ▲ | ▲ | ▲ | ▲ | ■ | |
| TP | 4580 | 5 15/64 | 1 7/16 | 3/4 | 4 19/32 | ▲ | ■ | ■ | ■ | ▲ | ▲ | ▲ | ▲ | ▲ | ▲ | ■ | ▲ | ▲ |
| TP | 4590 | 7 27/32 | 1 7/16 | 3/4 | 7 | ▲ | ■ | ■ | ■ | ▲ | ▲ | ▲ | ▲ | ▲ | | | | |

- Currently Manufacture/Tooled
- ▲ Could Manufacture/Requires Tooling
- TS Thermoset
- TP Thermoplastic
- TPO ThermoplasticElastomer Overmold

HANDLES

Two Point/ Pull

Modern industrial design for the highest demands. Extremely resistant to torsion and easy to grip. Glass bead reinforced, nylon, matte black finish or orange satin finish. Includes black oxide hexagon head cap screws with hexagon sockets DIN 912, zinc plated nuts DIN 934, and washers DIN 125. Available with stainless steel screws, nuts, and washers for wet areas. Also available without screws.



| A | Color | Standard Order No. | Stainless Steel Hardware Order No. | Without Screws Order No. | M | T | L | H | D1 | D2 | D3 | S |
|-----|-----------------|------------------------------|------------------------------------|------------------------------|-----------|----|-----|----|------|----|------|----|
| 100 | Black Orange | RG-1S.100.84 RG-1S.100.09 | RG-1N.100.84 RG-1N.100.09 | RG-1P.100.84 RG-1P.100.09 | M 5 x 22 | 13 | 122 | 33 | 17 | 19 | 8.5 | 20 |
| 120 | Black Orange | RG-1S.120.84 RG-1S.120.09 | RG-1N.120.84 RG-1N.120.09 | RG-1P.120.84 RG-1P.120.09 | M 6 x 25 | 15 | 146 | 39 | 20.5 | 23 | 10.5 | 24 |
| 140 | Black Orange | RG-1S.140.84 RG-1S.140.09 | RG-1N.140.84 RG-1N.140.09 | RG-1P.140.84 RG-1P.140.09 | M 8 x 30 | 16 | 170 | 45 | 24 | 27 | 12 | 28 |
| 160 | Black Orange | RG-1S.160.84 RG-1S.160.09 | RG-1N.160.84 RG-1N.160.09 | RG-1P.160.84 RG-1P.160.09 | M 8 x 35 | 20 | 194 | 52 | 27.5 | 31 | 13.5 | 32 |
| 180 | Black Orange | RG-1S.180.84 RG-1S.180.09 | RG-1N.180.84 RG-1N.180.09 | RG-1P.180.84 RG-1P.180.09 | M 10 x 40 | 20 | 218 | 58 | 31 | 35 | 15.5 | 36 |
| 150 | Black | GS-0S.150.7012 | GS-0N.150.7012 | GS-0P.150.7012 | M 8 x 30 | NA | 178 | 53 | 25.5 | 29 | NA | NA |

All dimensions in metric